

Master 24V Power Supply
Ticket Station

To a RS485
Ticket Station Network

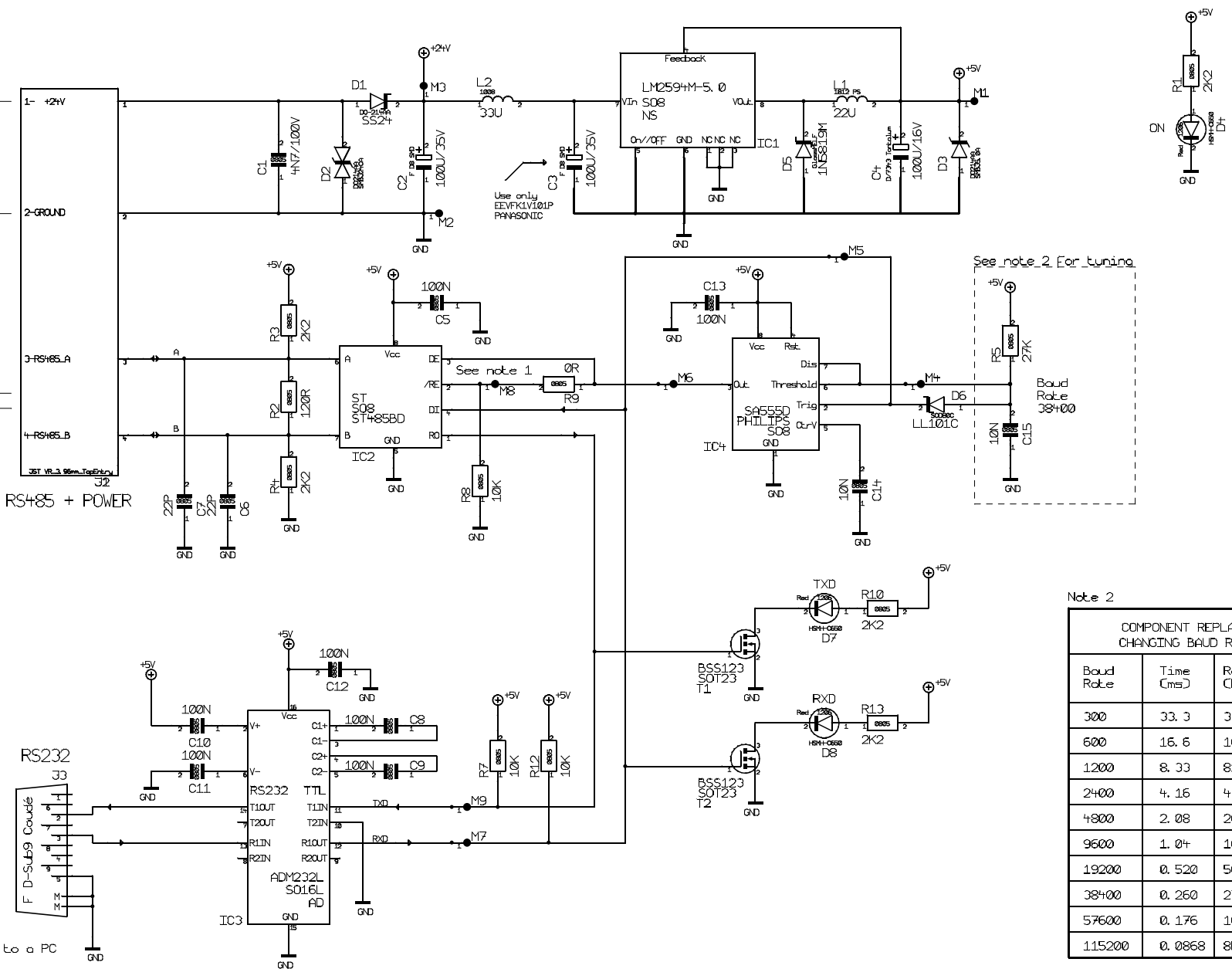
RS485 + POWER

RS232

DTE mode

Straight cable for connect to a PC

Note 1: 0R resistor R9 to be removed for receiver constant enable
This option allow detect a data into collision with other data on the RS485 network



Note 2

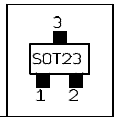
COMPONENT REPLACEMENTS FOR CHANGING BAUD RATE TIMEOUTS			
Baud Rate	Time (ms)	Resistor (R*)	Capacitor (C*)
300	33.3	330K	100N
600	16.6	160K	100N
1200	8.33	820K	10N
2400	4.16	430K	10N
4800	2.08	200K	10N
9600	1.04	100K	10N
19200	0.520	56K	10N
38400	0.260	27K	10N
57600	0.176	16K	10N
115200	0.0868	8K2	10N

Main Sheet

Page: 1	JOUR	NOM	SCHEMA N°
Dessin	10-01-10	pphi	1-100114-000
Vérif.	14-01-10	rphi	DESIGNATION
NORM			

aphiltron
www.aphiltron.com
3 Rue de Lorraine F-57530 PANGE

RS485-RS232 Converter
2-100114-000
En remplacement de: Remplacer par:

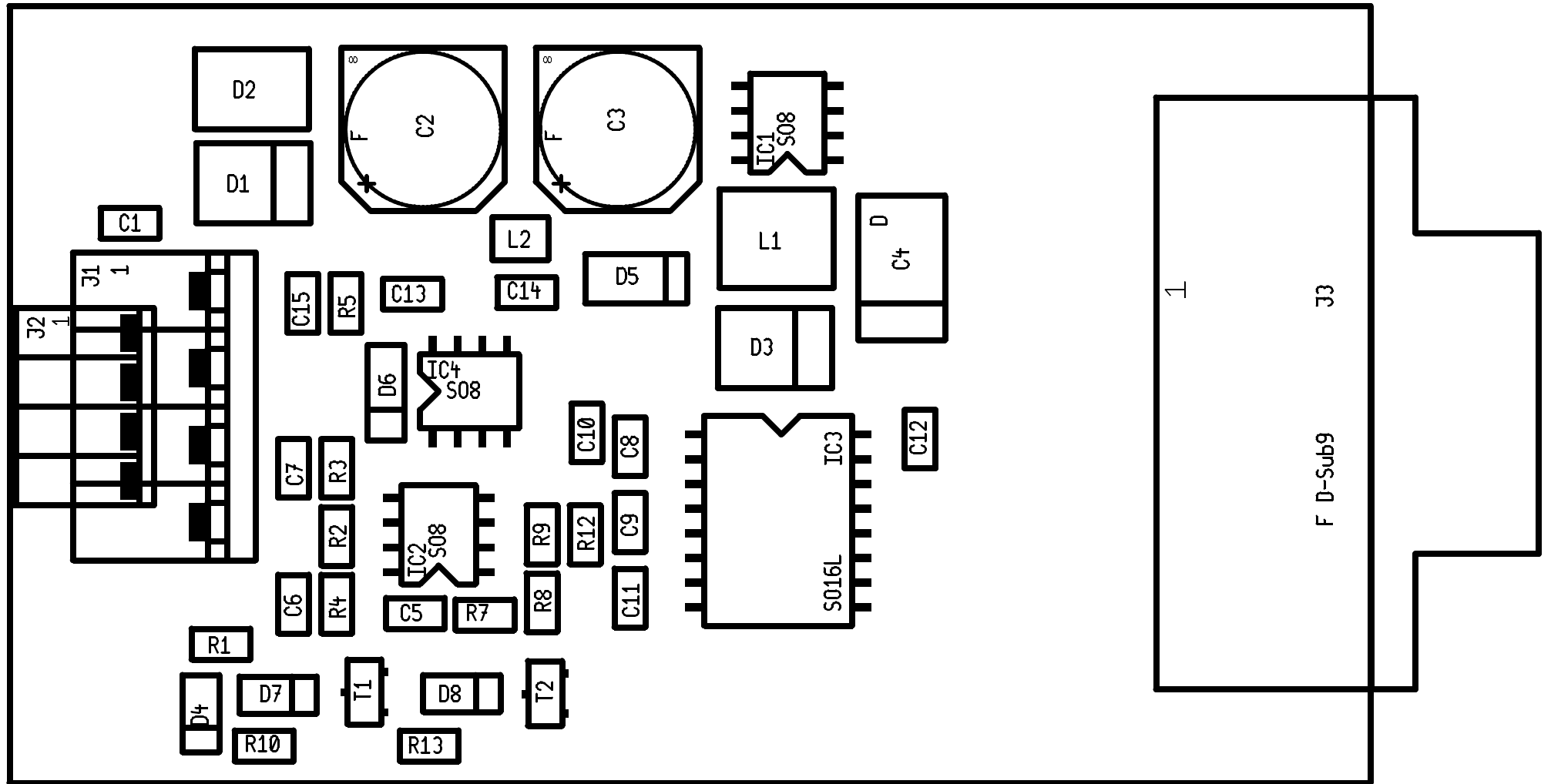


RS485-RS232 Converter

PCB: 2-100114-00a

Mod: 1-100114-00a

Top



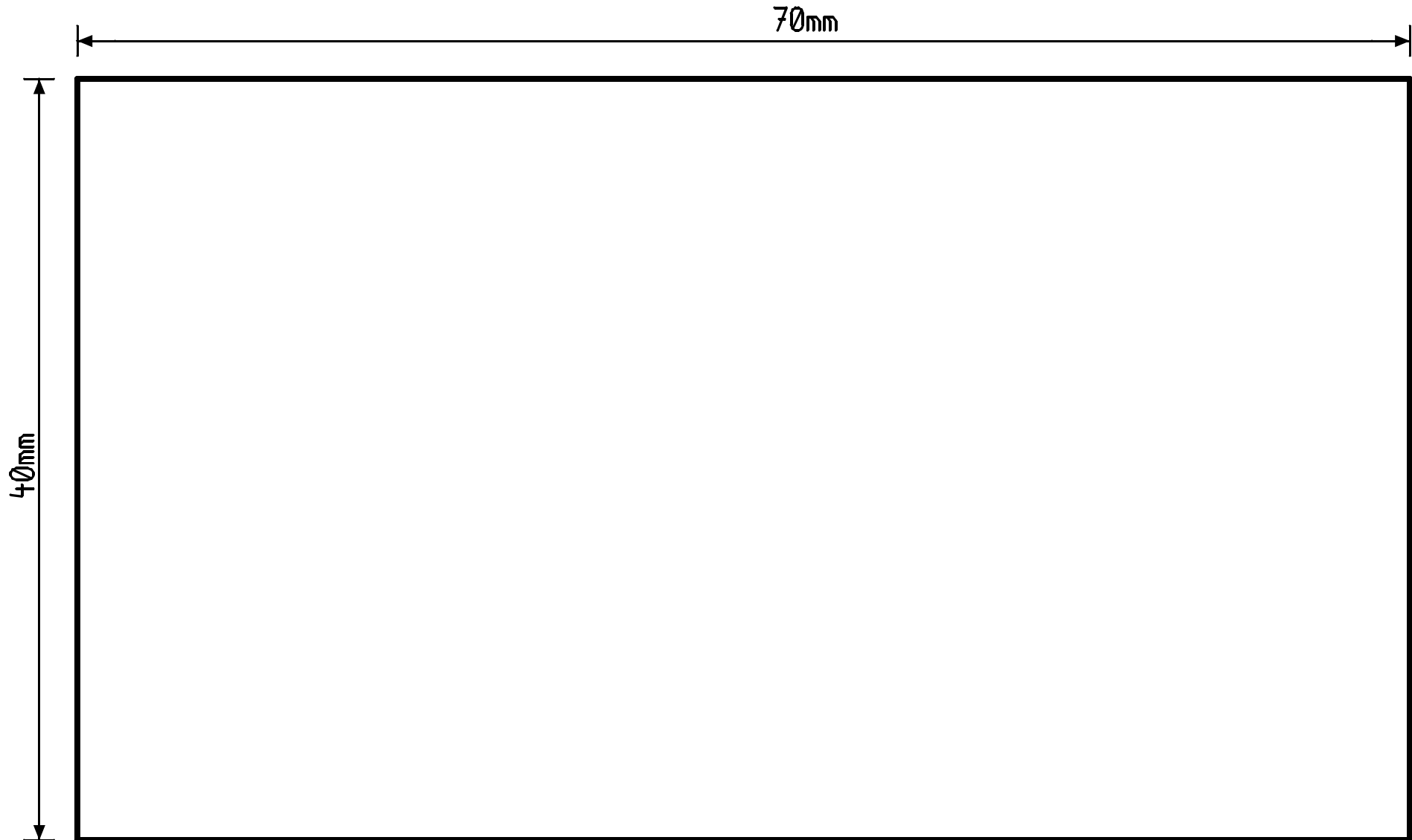
RS485-RS232 Converter

PCB: 2-100114-00a

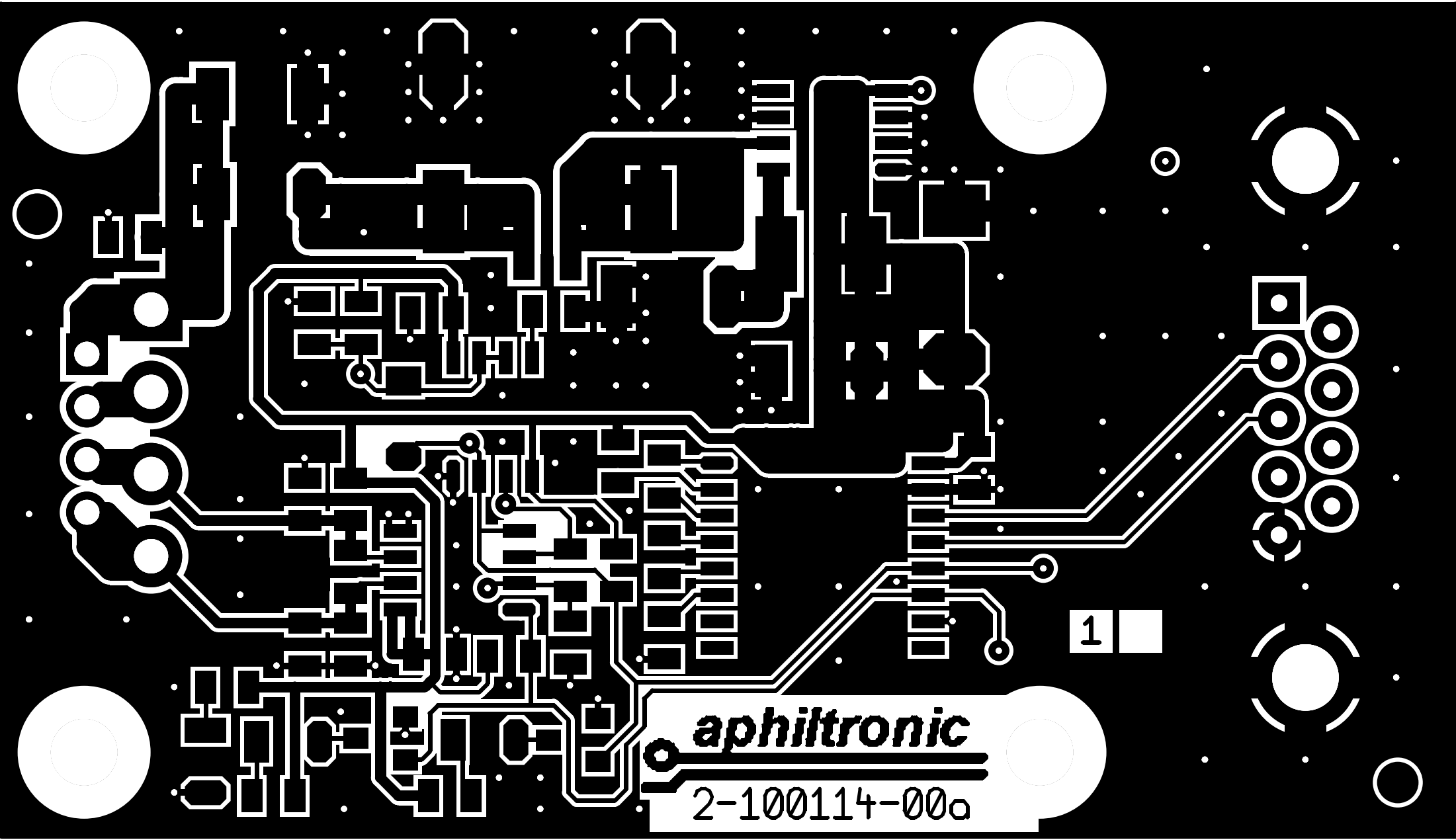
Mod: 1-100114-00a

outline

1.5mm Epoxy 2-loyers with both top and bottom soldermask 35u Cu / U1 Approval



Nr	Qty	Component	Value	Package	Product number	Manufacturer	Description	Remarks	MC
1	1	A1					2 Layers Printed Circuit Board		
2	2	C6, C7	22P	0805			SMD Chip capacitor		
3	1	C1	4N7/100V	0805	B37941-K472-X60	EPCOS	SMD Chip capacitor		
4	2	C14, C15	10N	0805			SMD Chip capacitor		
5	7	C5, C8, C9, C10, C11, C12, C13	100N	0805			SMD Chip capacitor		
6	2	C2, C3	100U/35V	F	EEVFK1V101P	PANASONIC	SMD Al Electrolytic Capacitor	Fixed	
7	1	C4	100U/16V	D-7343	TPSD107*016#0125	AVX	SMD Solid Tantalum Chip Capacitor	or equivalent	
8	1	D1		DO214AA	SS24	GS	SMD Schottky Rectifiers		S4
9	1	D2		DO214AA	SMBJ24CA	GS	SMD Surface Mount Bi-directional Transient Voltage Suppressor		BZ
10	1	D3		DO214AA	SMBJ5.0A	GS	SMD Surface Mount Transient Voltage Suppressor		KE
11	3	D4, D7, D8		1206	HSMH-C650	AGILENT	SMD Red LEDs (650nm)		
12	1	D5		GLASSMELF	1N5819M	GS	SMD Schottky barrier diode		
13	1	D6		SOD80C	LL101C	GS	SMD Schottky Diode		
14	1	IC1		SO8	LM2594M-5.0	NS	Power Converter 150kHz 0.5A Step Down Voltage Regulator		
15	1	IC2		SO8	RS485BD	ST	Low Power RS-485/RS-422 Transceiver		
16	1	IC3		SO16L	ADM232L	AD	CMOS RS-232 Drivers/Receivers		
17	1	IC4		SO8	SA555D	PHILIPS	Timer		
18	1	J1		THD	B4P-VR	JST	3.96mm Pitch, VR type, Top Entry Headerr		
19	1	J3		THD			Female D-Sub9 Right Angle PCB Mount		
20	1	L1	22U	1812PS	1812PS-103M	COILCRAFT	SMT Power Chip Inductors -1812PS Series		
21	1	L2	33U	1008	1008PS-333M	COILCRAFT	SMT Power Chip Inductors -1812PS Series		
22	1	R9	0R	0805			SMD Chip resistor		
23	1	R2	120R	0805			SMD Chip resistor		
24	5	R1, R3, R4, R10, R13	2K2	0805			SMD Chip resistor		
25	3	R7, R8, R12	10K	0805			SMD Chip resistor		
26	1	R5	27K	0805			SMD Chip resistor		
27	2	T1, T2		SOT23	BSS123	PHILIPS	N-channel D-MOS Transistor		SA
If in "Remarks" the word " Fixed " is not indicated, the component can be replaced by a equivalent,									
Für alle Kondensatoren ohne Spannungsangaben sind mindestens 10 Volt Werte anzunehmen									
Für alle Widerstände ohne Toleranzangaben sind mindestens 5% Werte anzunehmen									



1

aphiltronic
2-100114-00a

